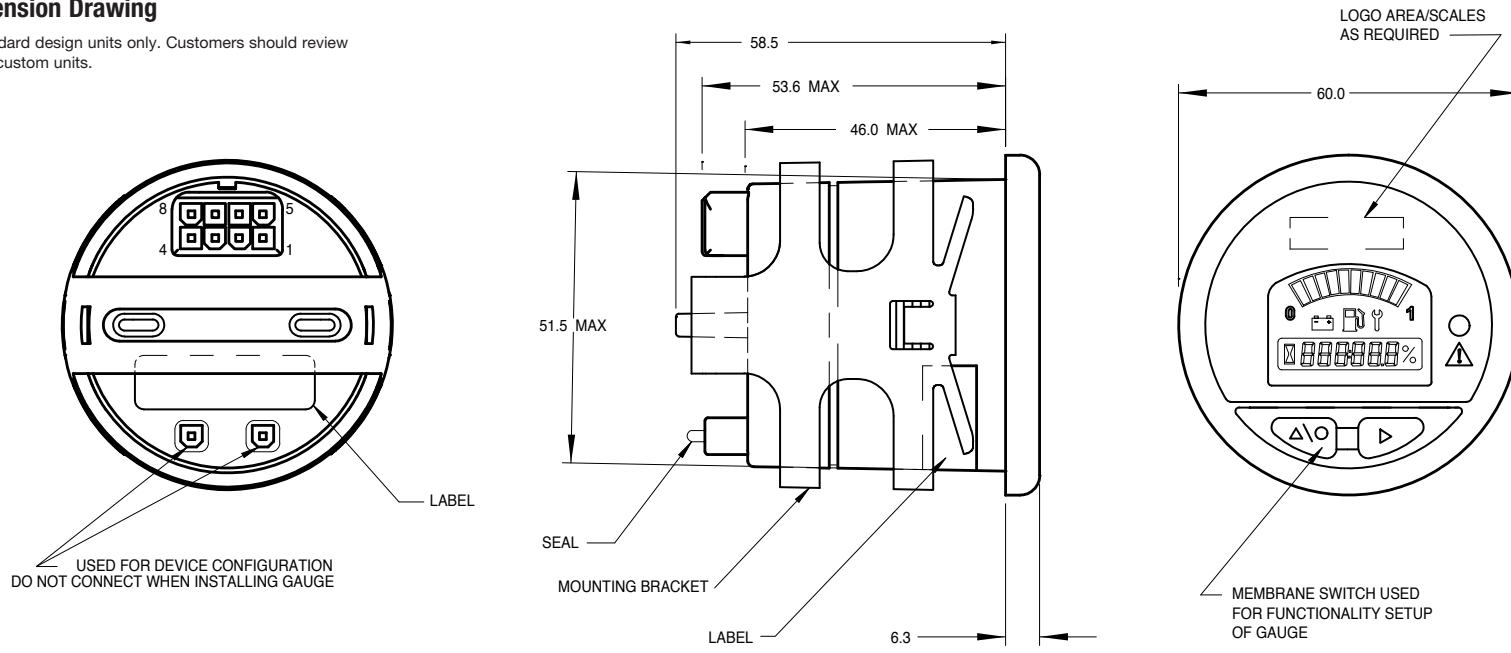




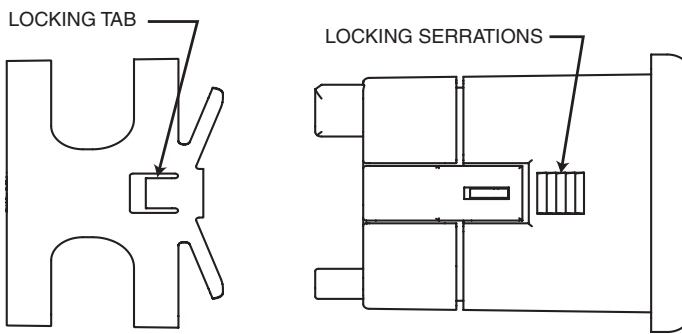
## 2.3 Mounting/Dimension Drawing

Information is for standard design units only. Customers should review specific diagrams for custom units.



### NOTES:

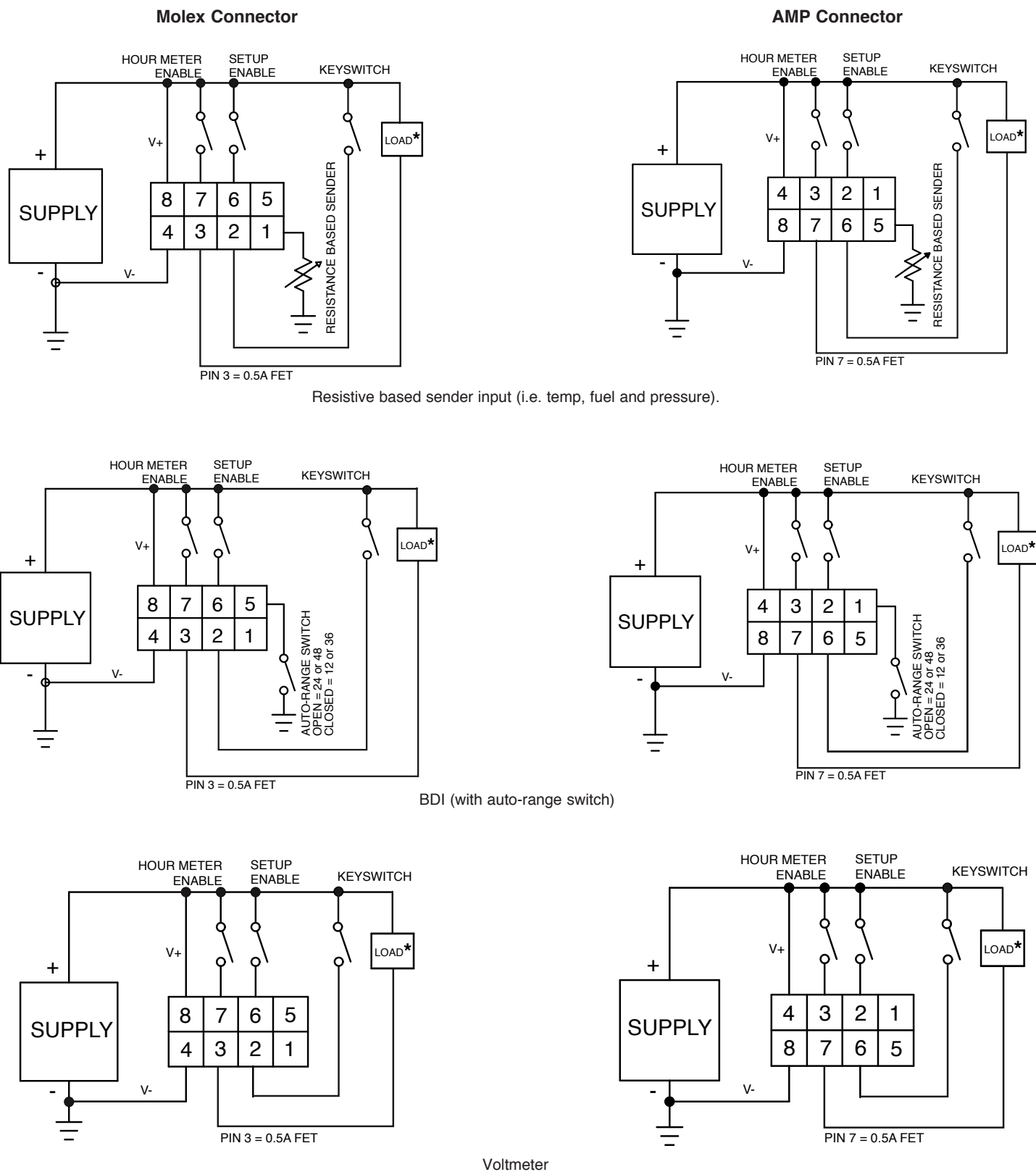
- 1.0 Mating Connector: 8-pin Molex P/N 39-01-2085 with UL-Rating 94V-0, pins P/N 39-00-0039 for #18-24 AWG
- 2.0 52mm meters are provided in a standard round package for mounting in a 52mm DIA dash panel hole. See detail for panel cutout with key.
- 3.0 Material: Case- Polycarbonate; Lens- clear Polymethylmethacrylat (pmma); Cover, Overlay & Mounting Bracket- Polycarbonate.
- 4.0 This unit is designed for a mounting panel thickness of 0.8mm - 6.4mm.
- 5.0 Environmental protection: Front- IP-65; Rear- IP-40.
- 6.0 Weight: 0.095 kg max, including mounting bracket.



LOCKING TAB MUST ALIGN WITH LOCKING SERRATIONS

## 2.2 Typical Wiring Diagrams

Information is for standard design units only. Customers should review specific diagrams for custom units.



\*Use of output FET driver requires installation of suppression diodes across all inductive loads.